

CertainTeed 

Structural
Porch Post

STEP-BY-STEP

INSTALLATION INSTRUCTIONS FOR

STRUCTURAL PORCH POST

Assembly for: 4 x 4 and 5 x 5 posts

Virtually Maintenance free | Lifetime Limited Warranty with SureStart™ Protection
Load Bearing Support System | Tie-Down Connections and Trims Included
Never Need Painting | Sharper Post Details

BEFORE YOU BEGIN

TOOLS REQUIRED

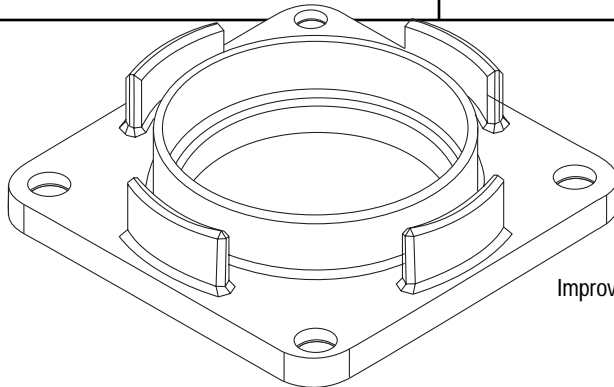
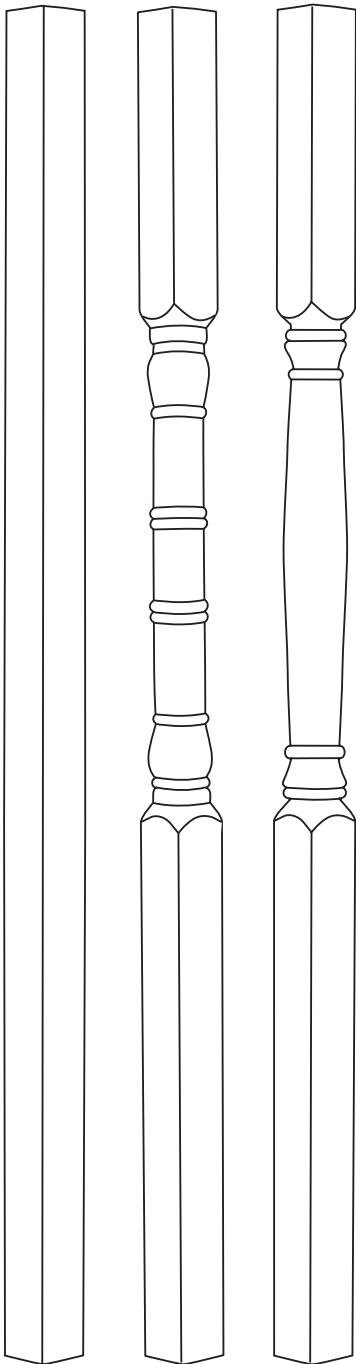
Chop/Mitre saw –
with carbide tipped multi-purpose blade
Tape measure
Pencil
Drill with 11/64" drill bit
Level

TIPS

- Make sure you have all the pieces you need to complete the job.

HELPFUL HINTS

- Read these instructions thoroughly before beginning the assembly.
- Use carbide-tipped multi-purpose blade for cutting.
 - Do not lay vinyl components on abrasive surfaces.
 - Not ACQ compatible. Use plastic between base plate and wood surface.
 - If any components are missing or defective, please call us at: **800-380-5323**

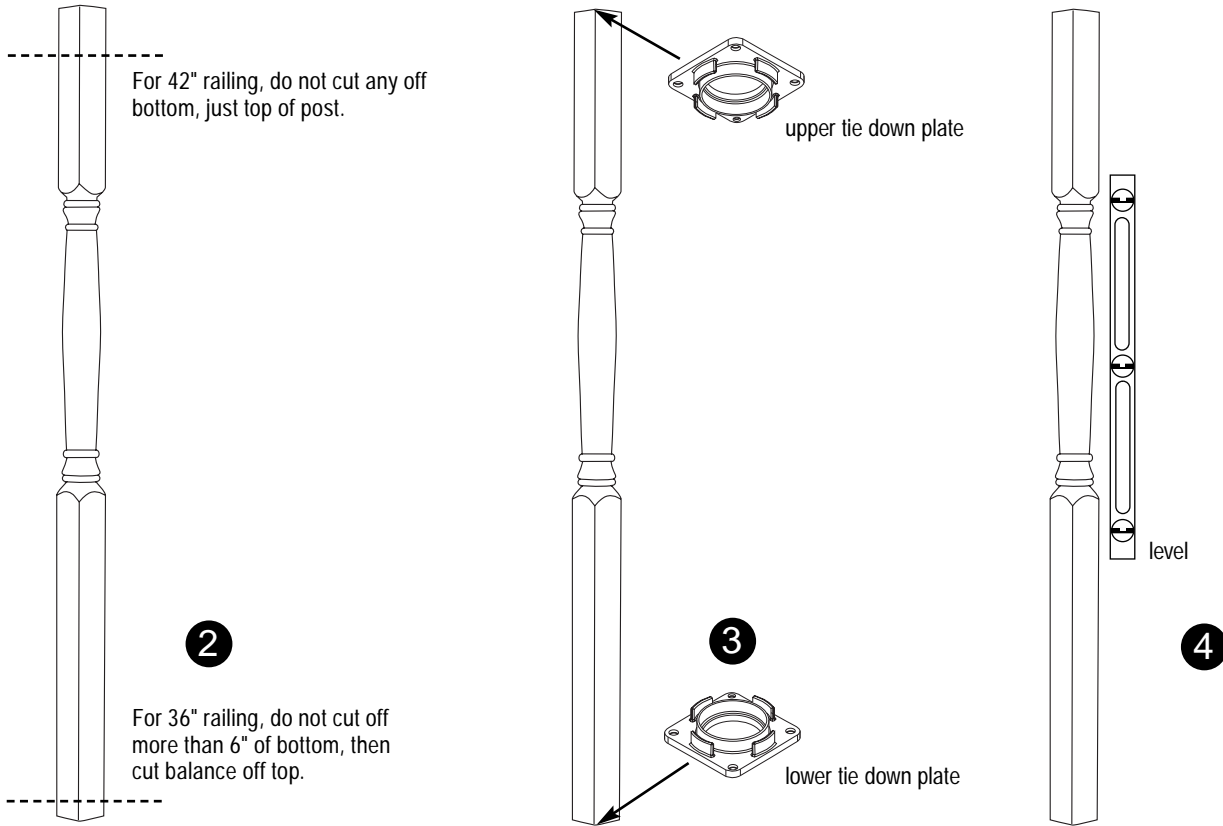


Improved tie down plate

IMPORTANT:

ALWAYS WEAR SAFETY GLASSES WHEN CUTTING AND DRILLING VINYL/ALUMINUM RAILING PRODUCTS.

INSTALLING PORCH POSTS



Step 1: Measure porch opening. Subtract 3/4" to measurement to account for tie down plates.

Step 2: Measure and cut Post to length. Note: For 42" railing, do not cut any off bottom, just top of post. For 36" railing, do not cut off more than 6" of bottom, then cut balance off top.

Step 3: Insert top and bottom tie down plates into ends of Post.

Step 4: Position Post into place and plumb. Mark placement of tie down plates.

Step 5: Turn Post a quarter turn clockwise to expose tie down attachment screw holes.

Step 6: Secure top & bottom tie down plates to header and floor using screws provided.

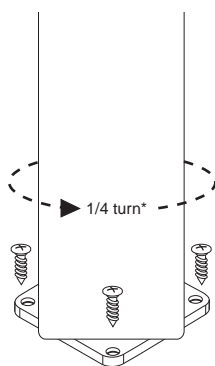
Tip: For concrete installation, tapcon anchors are recommended. (not provided)

Step 7: Turn post back into position.

Step 8: At each end of the 4 sides of Post, pre-drill attachment screw holes (11/64" bit) through Post and reinforcement.

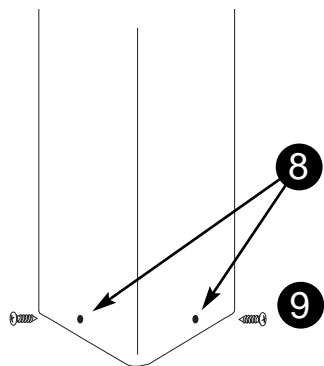
Step 9: Secure Post to top & bottom tie down plates with screws provided.

Step 10: Install trim pieces into place around top and bottom of the post to complete installation.



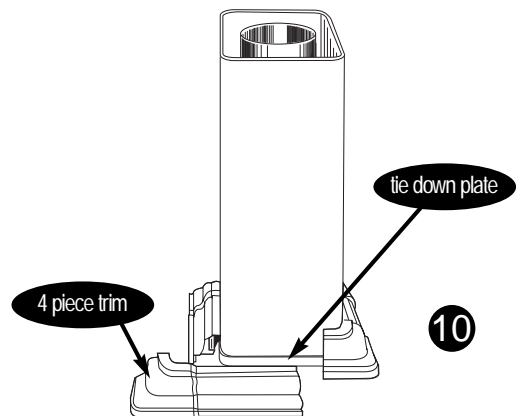
5

6



8

9



tie down plate

4 piece trim

10